



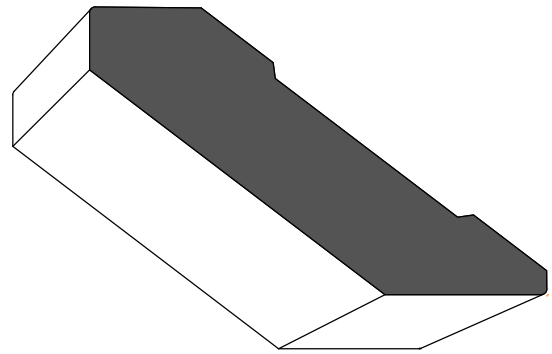
# CLASSIC

WOOD MOULDINGS LTD.

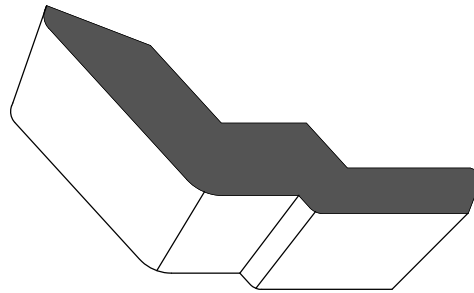
*"Imagine the Difference"*

## Crowns

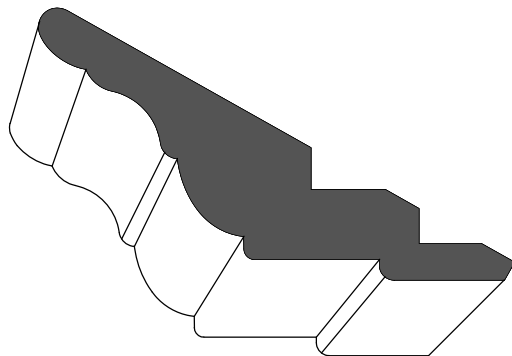
Profiles shown at 75% of actual size, all sizes nominal.  
Click on individual profiles for a full scale drawing.



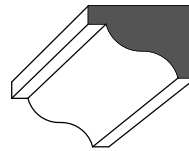
Flat Cabinet Crown (E-6)  
13/16" x 3-23/32"



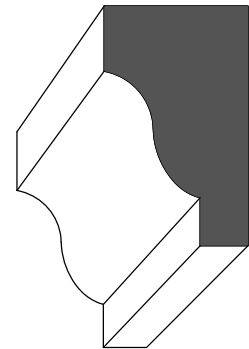
Shaker Cabinet Crown  
13/16" x 3-1/4"



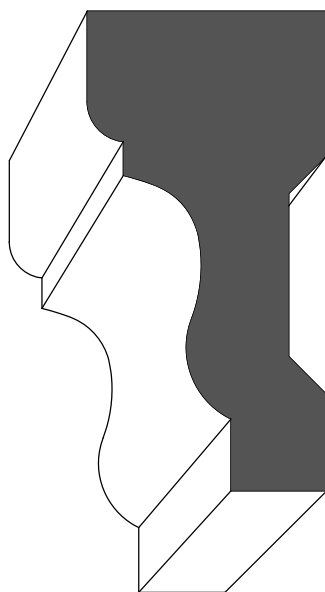
Colonial Cabinet Crown  
27/32" x 3-11/16"



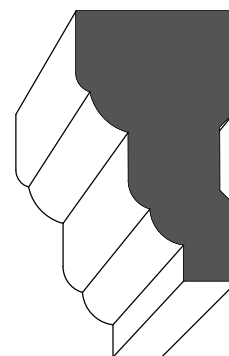
F-4  
1/2" x 3/4"



F-11  
3/4" x 1-1/4"



F-6  
1-1/4" x 2-1/2"



F-5  
1-1/8" x 1-7/8"



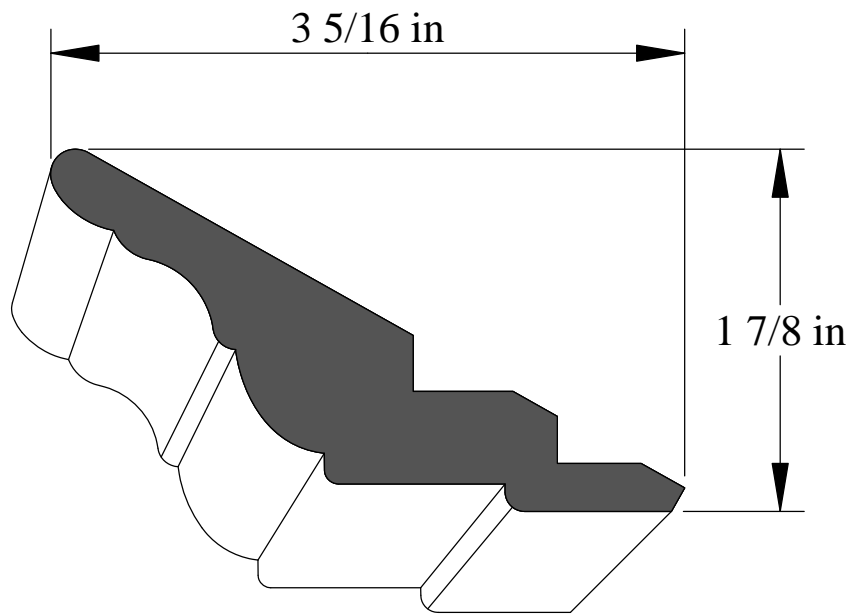
**CLASSIC**

WOOD MOULDINGS LTD.

*"Imagine the Difference"*



**Colonial Cabinet Crown (CC-1)**  
27/32" x 3-11/16"





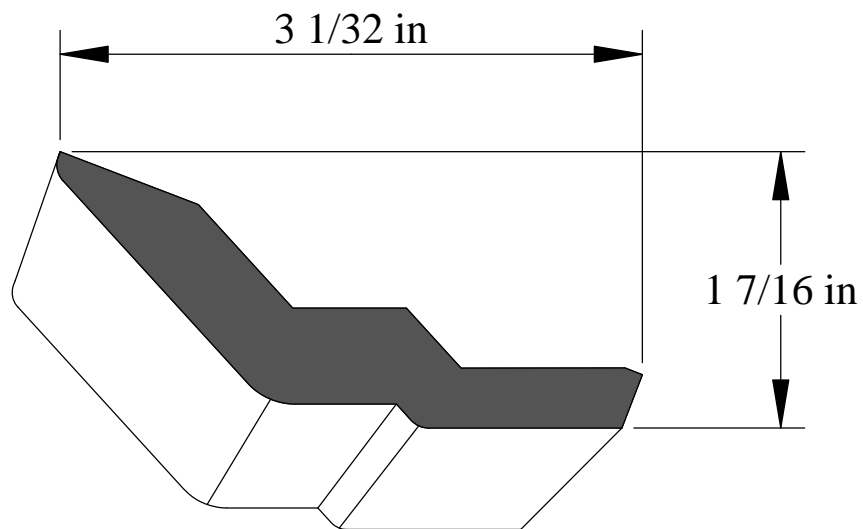
**CLASSIC**

WOOD MOULDINGS LTD.

*"Imagine the Difference"*



**Shaker Cabinet Crown (CC-2)**  
13/16" x 3-1/4"





**CLASSIC**

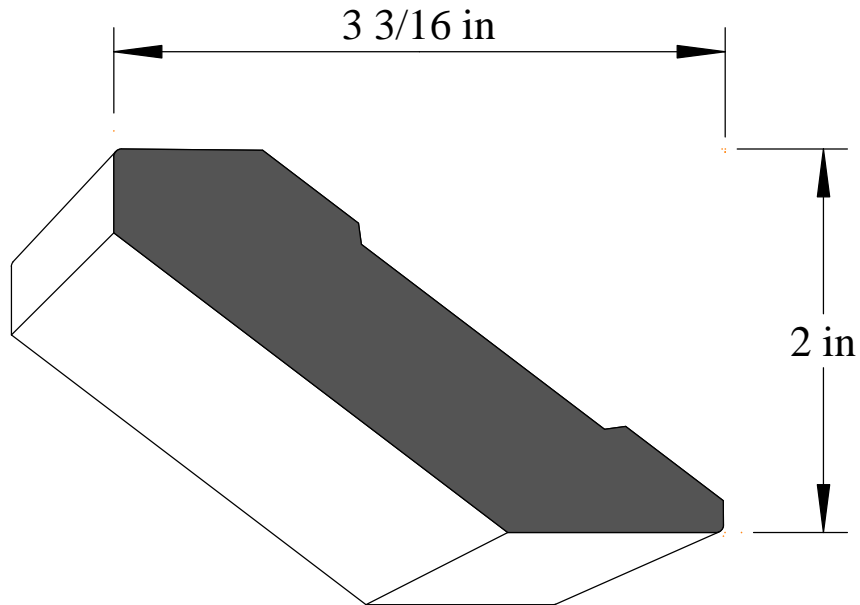
WOOD MOULDINGS LTD.

*"Imagine the Difference"*



E-6

13/16" x 3-23/32"





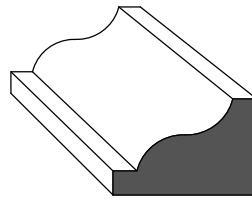
**CLASSIC**

WOOD MOULDINGS LTD.

*"Imagine the Difference"*



F-4  
1/2" x 3/4"





**CLASSIC**

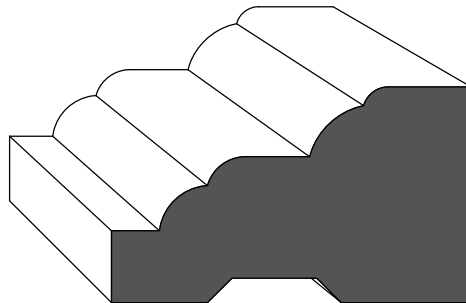
WOOD MOULDINGS LTD.

*"Imagine the Difference"*



**F-5**

**1-1/8" x 1-7/8"**





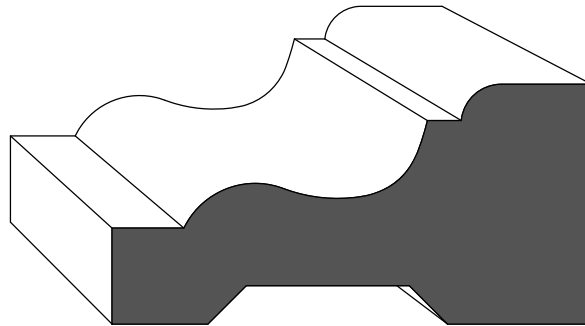
**CLASSIC**

WOOD MOULDINGS LTD.

*"Imagine the Difference"*



**F-6**  
1-1/4" x 2-1/2"





**CLASSIC**

WOOD MOULDINGS LTD.

*"Imagine the Difference"*



F-11  
3/4" x 1-1/4"

